



# Steam Head

The steam head breaks the sudden motion of the steam that enters to the steam room. It makes the steam to softly spread all around the steam room and directs steam away from bathers. When steam is accumulated, it leaves a trace of water. Steam head also block this hot condensed water making it to flow underneath it.

When high pressure steam hits the steam head, it usually creates a disturbing hissing noise. SAWO steam head is designed that the steam flow is more fluent and thus minimize the noise. A modern, simplified steam head like SAWO's gives you soft steam and more enjoyable steam bathing.



Front



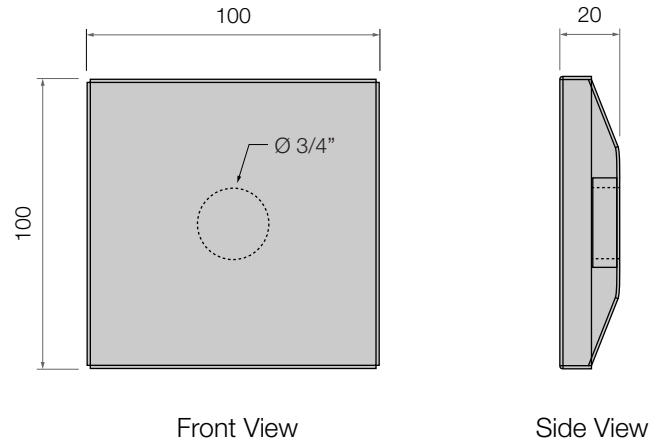
Back



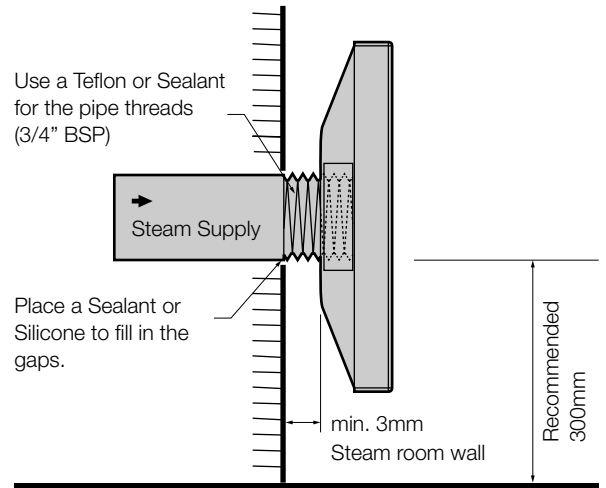
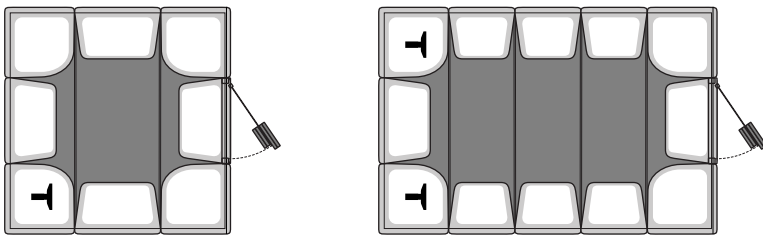
Size: 100mm x 100mm x 20mm

Thread: Ø 3/4"

Material: Stainless Steel Metal

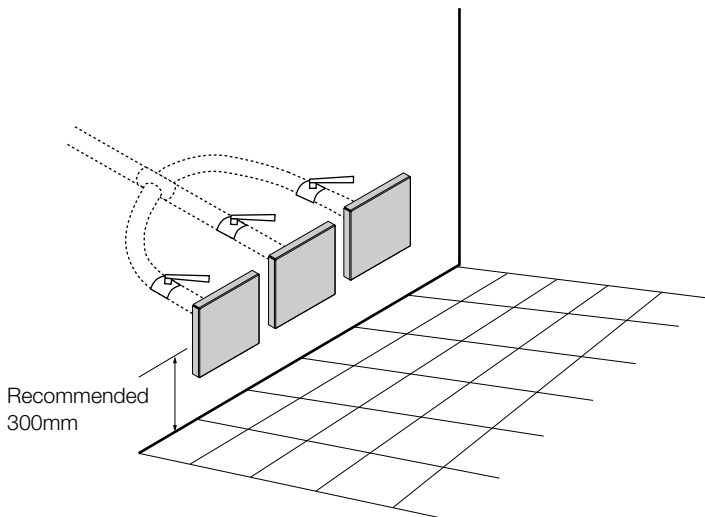


### Recommended Steam Head Location



### Installation with Multiple Steam Head

Add valve to each steam lines when installing multiple steam heads. This is to control the distribution of the steam inside the room.



[www.sawo.com](http://www.sawo.com)