



Innova Power Controller and Contactor Unit Holder

Innova Power controller is the main processor of the signal from the interface control. If the heater used is more than 15kW, an additional contactor unit is needed. Usually, these controllers are placed outside the sauna room above the ceiling or other convenient place. Controllers are sensitive to humidity and hot temperature. For that reason, it is strongly advised to place controllers properly and on upright position. Proper controller positioning with holder also preserve the internal parts from dust.

A stainless and exclusively designed holder is now available to make mounting of the power controller and the contactor unit very easy and handy to your desired location.



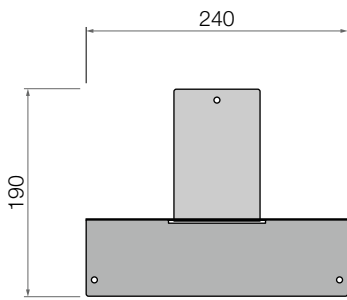
Front



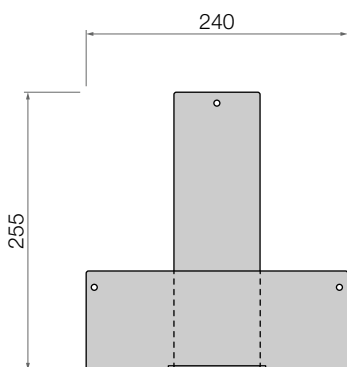
Back



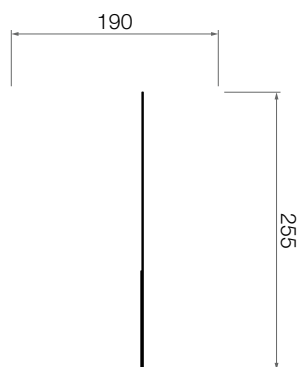
Size: 190mm x 240mm x 255mm
Material: Stainless Steel Metal



Top View

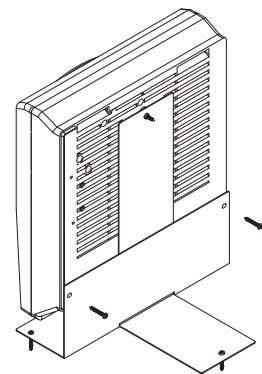
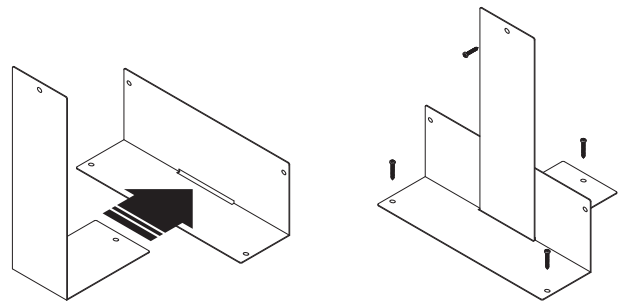


Front View



Side View

Installation:



www.sawo.com