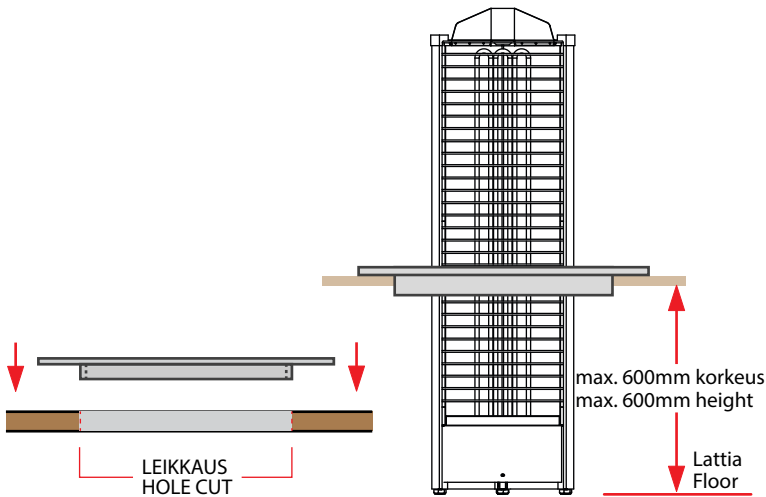
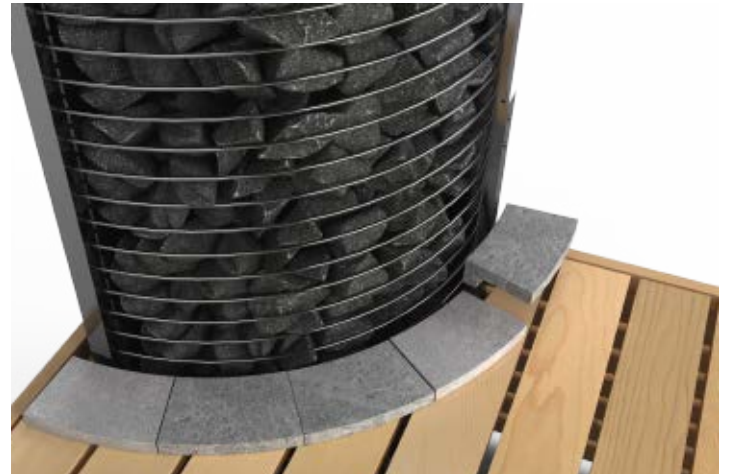
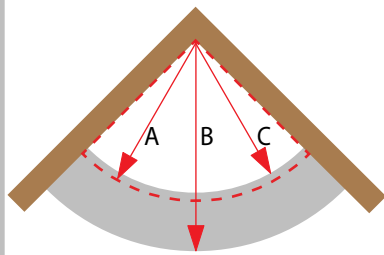
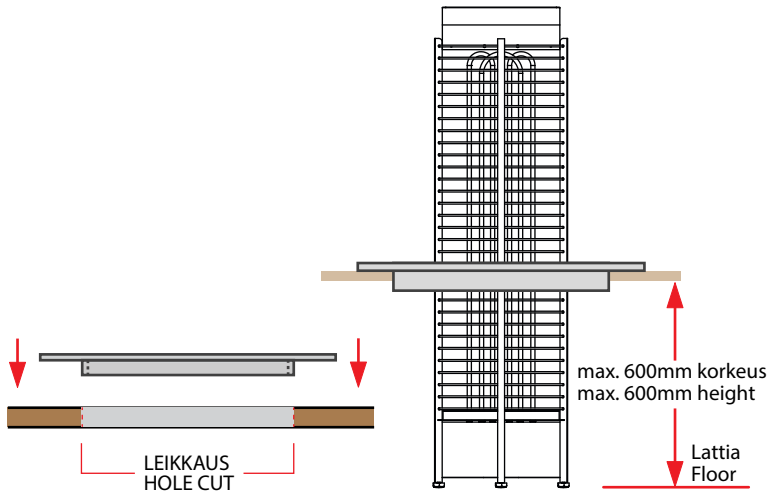
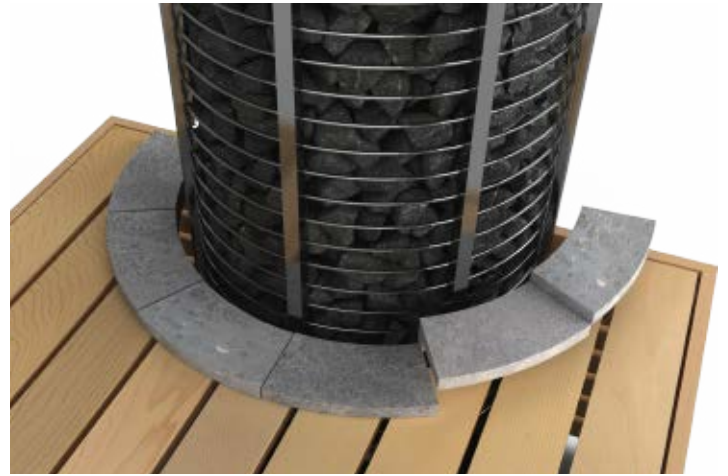
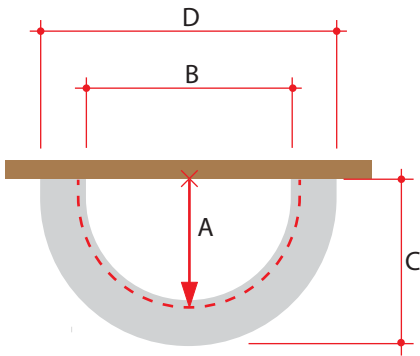


MALLI MODEL	MITAT(mm) DIMENSION			TORNIKIUKAAT TOWER HEATERS	
	A (Leikkaus) (cut)	B	C		
TH-COLLAR-S2	350	510	310	TH2-30NB	TH2-30NS
				TH3-35NB	TH3-35NS
				TH3-45NB	TH3-45NS
				TH3-60NB	TH3-60NS
TH-COLLAR-S4	400	560	360	TH4-60NB	TH5-80NS
				TH4-60NS	TH5-90NS
				TH5-80NB	
TH-COLLAR-S6	460	620	420	TH6-80NB	TH6-120N
				TH6-90NB	TH6-80Ni
				TH6-80NS	TH6-90Ni
				TH6-90NS	TH6-105Ni
				TH6-105N	TH6-120Ni
TH-COLLAR-S9	530	690	490	TH9-105N	TH9-105Ni
				TH9-120N	TH9-120Ni
				TH9-150N	TH9-150Ni
				TH9-180N	
TH-COLLAR-S12	630	790	590	TH12-150N	TH12-150Ni
				TH12-180N	TH12-180Ni
				TH12-210N	TH12-210Ni
				TH12-240N	TH12-240Ni



MALLI MODEL	MITAT(mm) DIMENSION			TORNIKIUKAAT TOWER HEATERS
	A <sup>(Leikkaus)</sup> (cut)	B	C	
TH-COLLAR-S2-CNR	330	410	310	TH2-30NB-CNR TH3-35NS-CNR TH3-35NB-CNR TH3-45NS-CNR TH3-45NB-CNR TH3-60NS-CNR TH3-60NB-CNR TH2-30NS-CNR
TH-COLLAR-S4-CNR	385	465	365	TH4-60NB-CNR TH5-80NS-CNR TH4-60NS-CNR TH5-90NS-CNR TH5-80NB-CNR
TH-COLLAR-S6-CNR	445	525	425	TH6-80NB-CNR TH6-80Ni-CNR TH6-90NB-CNR TH6-90Ni-CNR TH6-80NS-CNR TH6-105Ni-CNR TH6-90NS-CNR TH6-120Ni-CNR TH6-105N-CNR TH6-120N-CNR



MALLI MODEL	MITAT(mm) DIMENSION				TORNIKIUKAAT TOWER HEATERS	
	A (Leikkaus) (cut)	B	C	D		
TH-COLLAR-S2-WL	265	430	345	630	TH2-30NB TH2-30NS TH3-35NB TH3-35NS TH3-45NB TH3-45NS TH3-60NB TH3-60NS	
TH-COLLAR-S4-WL	310	520	390	720	TH4-60NB TH5-80NS TH4-60NS TH5-90NS TH5-80NB	
TH-COLLAR-S6-WL	345	590	425	790	TH6-80NB TH6-120N TH6-90NB TH6-80Ni TH6-80NS TH6-90Ni TH6-90NS TH6-105Ni TH6-105N TH6-120Ni	
TH-COLLAR-S9-WL	395	690	475	890	TH9-105N TH9-105Ni TH9-120N TH9-120Ni TH9-150N TH9-150Ni TH9-180N	
TH-COLLAR-S12-WL	465	830	545	1030	TH12-150N TH12-150Ni TH12-180N TH12-180Ni TH12-210N TH12-210Ni TH12-240N TH12-240Ni	