



STAR

# STEAM MATE



STAR-105NS



STAR-210NS

**Your heater partner for a more humid sauna.**



**ENGLISH**

# TABLE OF CONTENTS

<b>1. Installation</b> .....	1
1.1 Minimum Safety Distance .....	1
1.2 Mounting of the Steam Mate .....	1
<b>2. Assembly</b> .....	2
2.1 Ball valve .....	2
2.2 Scent basins .....	2
2.3 Steamer cover .....	2
<b>3. Technical Data</b> .....	2
<b>4. Using the Steam Mate with Innova Control Unit</b> .....	3
4.1 Manual Refill .....	3
4.2 Auto Refill .....	4
4.3 Operation .....	4
4.4. Draining and cleaning the water compartment .....	5
4.5 Using Scents .....	5

## Spareparts

### **WARNING**

Must be installed with a **Combi Heater Control**

A floor drain must be provided when installing  
Auto Refill Steam Mates.

# 1. Installation

The SAWO Steam Mate is the answer for a more humid saunas. It brings smooth steam for an enjoyable sauna bath.

For safety and convenience, follow the minimum safety distances as provided in Fig. 1. Do not install the steam mate to the floor or wall niche.

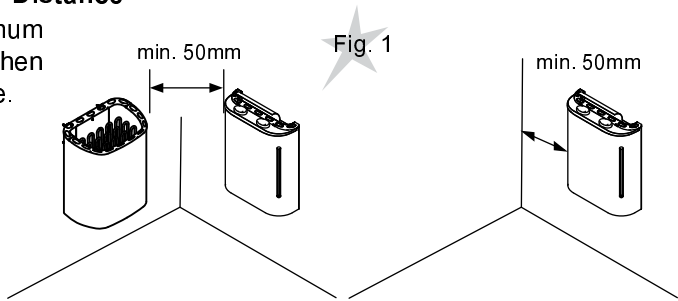
Be sure to build a strong foundation for the mounting rack (e.g. cross struts in sauna paneling) or reinforce the wall with a thick board to prevent the heater from collapsing. Attach the heater to the wall with the aid of the mounting rack. Screws are provided for fastening of the rack to the wall.

A certified electrician must do the installation of the heater to ensure safety and reliability. Improper electrical connections can cause electric shock or fire. Refer to the electrical diagram in the Technical Data.

The cable must be HO7RN-F type or its equivalent.

## 1.1 Minimum Safety Distance

Follow the minimum safety distances when installing steam mate.

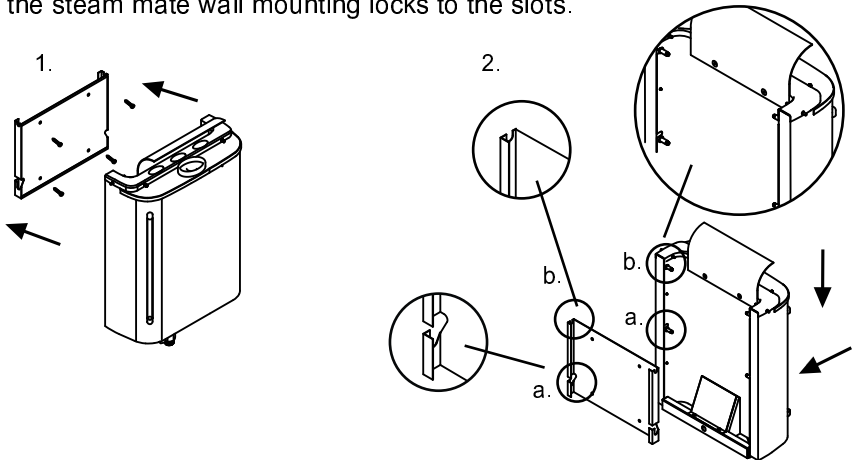


## 1.2 Mounting the Steam mate

Mount the steam mate in the the sauna room wall. Refer to the minimum safety distance.

1. Screw the wall mounting the wall.
2. Snap the steam mate wall mounting locks to the slots.

Fig. 2

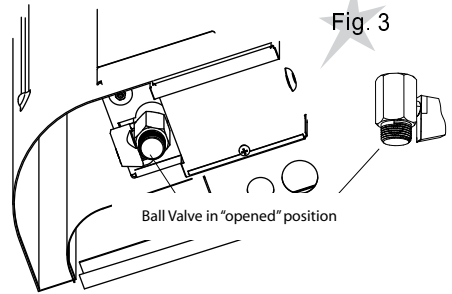


## 2. Assembly

### 2.1 Assembly of parts

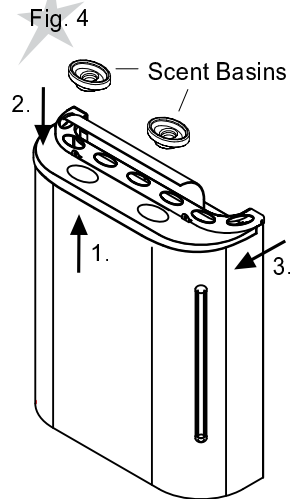
#### 2.1.1. Ball valve

Before installing the ball valve ensure that Teflon tape is wrapped around the nipple's thread. When attaching and detaching the ball valve make sure that the valve's handle is in closed position (see Fig. 1).



#### 2.2. Scent basins

Scent basins are to be attached as per Figure 2. Handle scent basins with care as they might break when dropped on the floor or any hard surface.



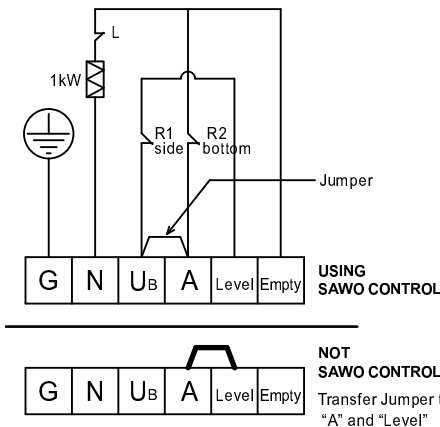
#### 2.3. Steamer cover

To detach or attach the steamer cover, follow the instruction given in Figure 3.

1. Lift up the steamer cover.
2. Push down it down.
3. Pull out the steamer cover.

## 3. Technical Data

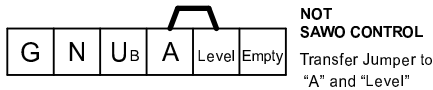
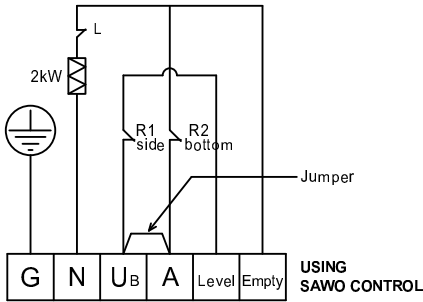
### STAR-105NS (MANUAL REFILL)



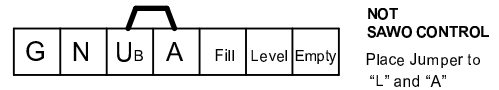
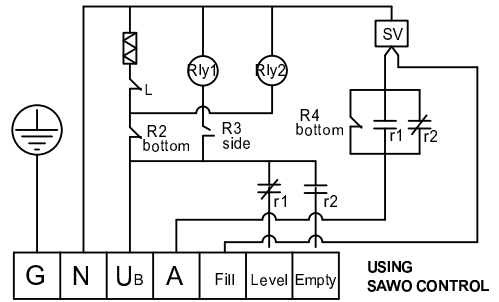
#### LEGEND:

- Empty = Empty tank signal
- Level = Not connected to control unit
- A = Not connected to control unit
- Ub = Phase going to the steam mate
- N = Neutral

## STAR-210NS (MANUAL REFILL)



## STAR-210NS (AUTO REFILL)



HEATER MODEL	kW	FILL		HEATING ELEMENT		SUPPLY VOLTAGE	SIZE			SIZE OF WIRE (mm <sup>2</sup> )
		MIN	MAX	kW	TYPE NUMBER		WIDTH	DEPTH (mm)	HEIGHT	
STAR-105NS	1.0 kW	1 L	3.5 L	1	COM10	230V 1N~	330	125	480	1.5
STAR-210NS	2.0 kW	1 L	5.5 L	2	COM200	230V 1N~	410	155	550	1.5

## 4. Using the Steam Mate with Innova Control Unit

Steam Mate is designed to be used in conjunction with your heater, so the user can enjoy the combined heat and humid steam.

To ensure ideal humidity, the sauna temperature should be between 40 and 55° C. The Steam Mate should be left on for about 15-30 minutes to pre-heat the sauna and produce sufficient amount of steam before starting bathing.

### 4.1 Manual Refill

Water can be poured into the Steam Mate through the openings of the scent basins or by removing the steamer cover first. The capacity of the compartment is 3.5litres for the STAR 120NS and 5.5 litres for the 210NS.

If water in the compartment exceeds the maximum capacity, water from the indicator tube end might spill on the floor. The water level can easily be monitored through the water level indicator.

The Steam Mate has a low water detection system, which reminds to refill water before the tank runs dry. To avoid the activation of the low water detection system, refill water once the water level reaches the REFILL mark on the water level indicator tube (about 1.5 litres of water left in the tank).

If no water is refilled at that point, when there is only about 1 litres of water, the low water detection system will automatically turn off the Steam Mate. FILL message is displayed together with a buzzer tone on the external control unit.

If FILL appears on the external control unit's display, cold household tap water should be poured through the openings of the scent basins. Observe caution while refilling water as the unit is still hot! Carefully remove the scent basins, as they can be hot. Do not attempt to remove the cover as it is extremely hot! Before turning on the steamer, always make sure that sufficient amount of water is in the compartment.

After refilling water, the steam generator turns on again after a short while. If no water is refilled upon the FILL message appears on the display of the control unit, the Steam Mate will turn on again after a few minutes. The FILL message is repeatedly displayed until water is filled in the tank or the unit is turned off.

In order to preserve the heating plate and life span of the combi heater avoid "dry boiling" of the steamer compartment!

#### **4.2 Auto Refill**

An automatic refilling system makes it possible to produce steam without interruptions. The tank will automatically be refilled when the water level reach the low water detection.

As a security feature, if there is no refill of an empty tank, the low water detection system will automatically turn off the steamer heater. A FILL message is displayed together with a buzzer tone on the external unit. After refilling water, the steam generator heater turns on again after a short while. The buzzer will stop alarming when water is filled, or when the heating element is not hot anymore.

Observe caution while refilling water as the unit is still hot. The water level in the tank can easily be monitored through the water level indicator.

#### **4.3 Operation**

All operations are handled through the external control unit, the Innova Control unit is recommended to ensure seamless cooperation. Choose either a sauna or a steam session. For normal sauna baths switch OFF the steamer. For steam baths switch ON the steamer.

The Steam Mate will automatically start to produce steam. To ensure ideal humidity, the sauna temperature should be 40 - 55°C. Before steam session the steamer should be left on for about 30 minutes to pre-heat the sauna and produce sufficient amount of steam.

#### 4.4. Draining and cleaning the water compartment

In order to ensure best water quality the water compartment must always be emptied and cleaned after use. This procedure removes impurities condensed in the compartment as result of evaporation.

The water should be drained only after cooling down since it is very hot immediately after using the steamer. To drain the compartment, turn the ball valve handle at the bottom of the steam generator tank counter clockwise until water flows. Provide a container (i.e. a bowl) to collect the water.

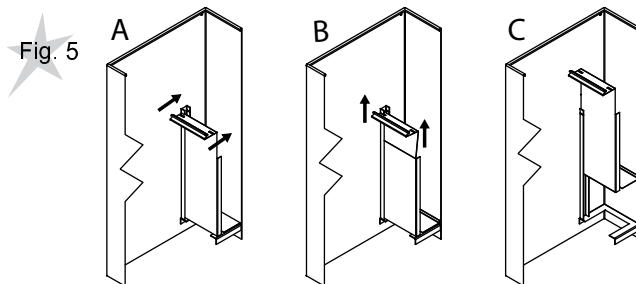
After the compartment is completely drained, clean the tank with a household brush and water to remove impurities accumulated inside the tank. Do not use a steel brush as it might damage the tank wall or bottom heating plate.

Before cleaning the inside of the water tank, remove its cover first. Do not attempt to clean the inside of the compartment by hand and a cloth to avoid injuries caused by the compartment's edges. To clean the compartment separation plate, lift it up and clean it with water and a household brush. Finally flush the compartment with water and close the ball valve by turning its handle clockwise. Do not forget to refill water before turning the steamer on again.

Do not let the steamer water compartment run dry as an alternative method of draining the water, because the lifespan of Steam Mate will be shortened.

Impurities from water, e.g. lime, will accumulate on the walls of the steamer's water compartment. For decalcification SAWO recommends decalcifying agents intended for household appliances, e.g. coffeemakers and water kettles. These agents are to be applied as instructed by the manufacturer.

The outside of the Steam Mate should be cleaned with a damp cloth. When cleaning the outside, ensure that the power switch is in off position.



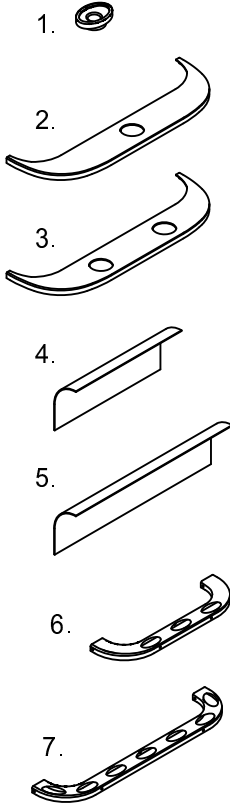
#### 4.5 Using Scents

Liquid scents can be used with the Steam Mate to make your sauna bath more enjoyable.

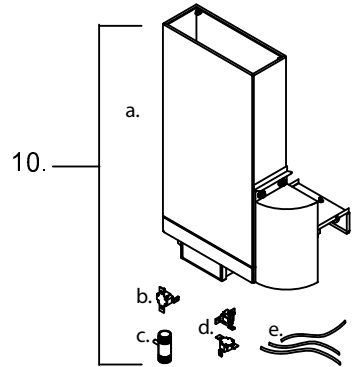
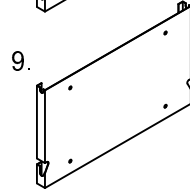
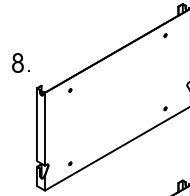
Scents can be poured in the provided scent basins inserted in the unit's top cover. Avoid pouring scents while the steam generator is on. The hot steam might cause serious burns.

The scent basins should be brushed and rinsed with water after using scents.

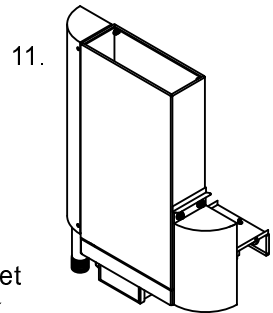
# Spareparts



1. Scent Basins
2. Steamer Cover (MN)
3. Steamer Cover (SCA)
4. Steam mater reflector sheet (MN)
5. Steam mater reflector sheet (SCA)
6. Front Frame (MN)
7. Front Frame (SCA)
8. Steam mate wall mounting sheet (MN)
9. Steam mate wall mounting sheet (SCA)



10. Tank Set
  - a. Tank
  - b. Temperature Limiter Switch
  - c. Nipple
  - d. Temperature Regulator
  - e. Wiring
11. Water Tank for Auto Refill



www.sawo.com  
info@sawo.com

