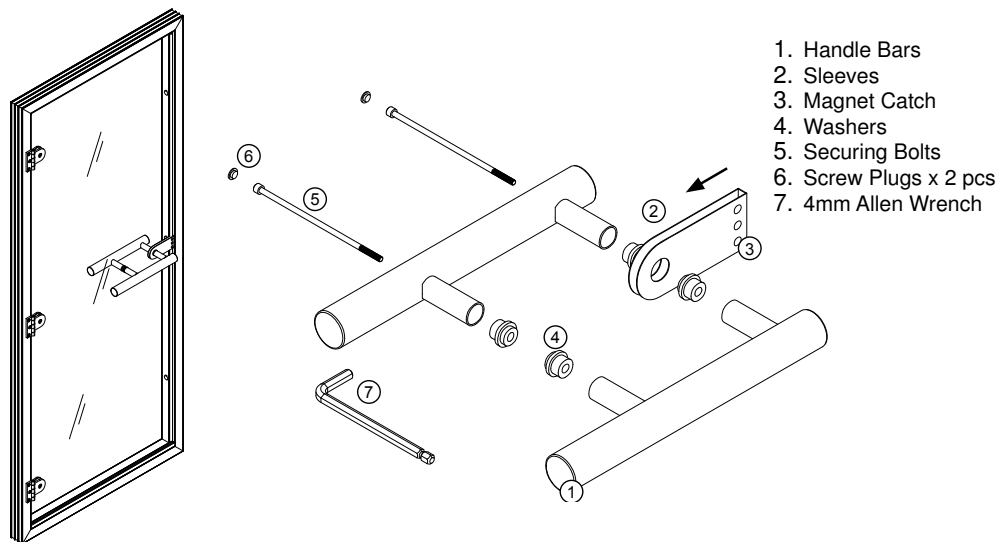


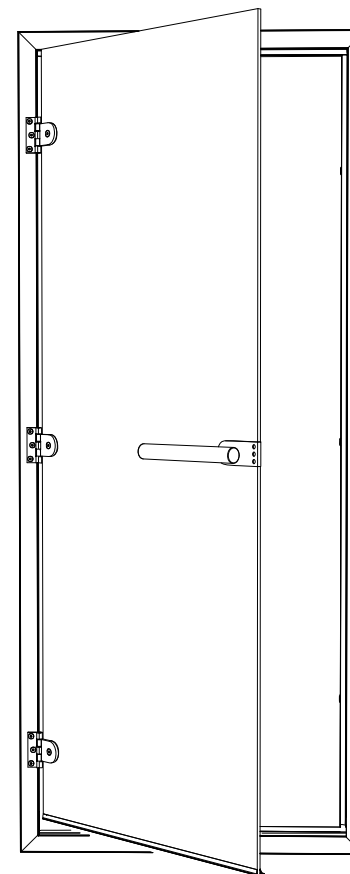
3 Attach the door handle to the glass and secure with bolt using Allen wrench. Cover the holes with screw plug after installing.



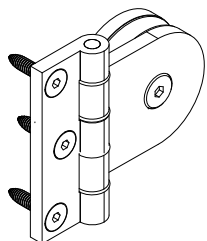
ST-746-L
Left Opening



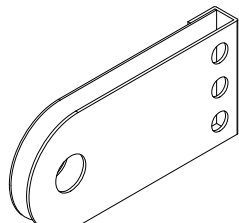
1. Handle Bars
2. Sleeves
3. Magnet Catch
4. Washers
5. Securing Bolts
6. Screw Plugs x 2 pcs
7. 4mm Allen Wrench



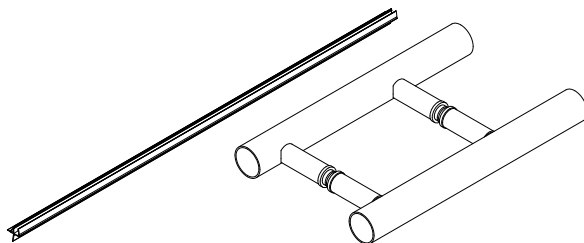
Steam Door Spare Parts



Hinge
ST-001



Magnet Catch
ST-002



Water Catcher
ST-004

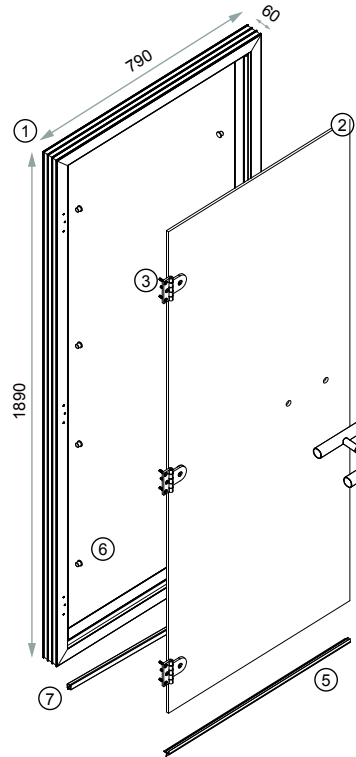
Door Handle
ST-003

Steam Door Installation Manual

790mm x 60mm x 1890mm



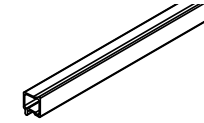
Steam Door Parts List



1. Door Frame
2. Glass Door
3. Glass Door Hinges x 3pcs
4. Door Handle
5. Water Catcher
6. Frame Hole Plug x 8pcs
7. Alu Profile

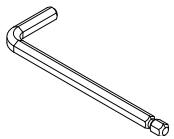


Water Catcher



Alu Profile

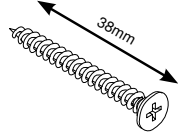
Requirements for Installation



4mm Allen Wrench
(Included in the package)



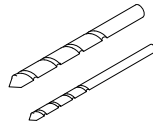
Plastic Tox



Wall Screw
6RM08-934
(Included in the package)



Drill



13mm and 6mm Drill Bits



Measuring Tape



12.6mm Screw Guide
(Included in the package)



Industrial Silicone



Wooden Wedge x 12
(Included in the package)



Leveler

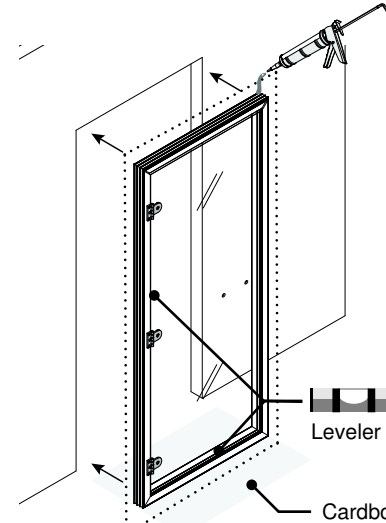


WARNING! Do not use acid based or strong detergents when cleaning the steam room door and its components. Cleaning should be done with mild non acid detergents only.

Screw Hole Plug
(Included in the package)

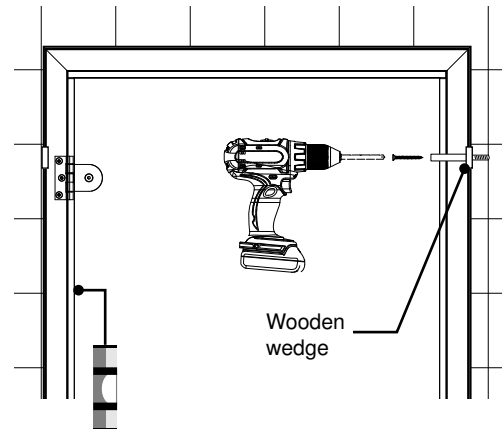
Door Frame Installation

1 Option 1 (Silicone Mounting) Affix the door set to the steam room with silicone.



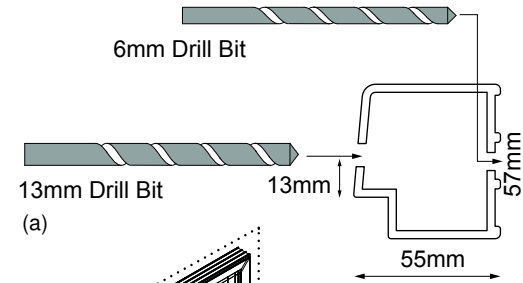
Use a leveler to make sure that the frame is leveled from the floor and the sides are at 90 degrees to ensure smooth opening and closing of the door. Place cardboard in front of the door opening as cushion to the corners for the glass in case it accidentally hits the floor.

2b Pre-drill holes to the wall opening while steam door jamb is on place. Screw the steam door jamb using the screw guide. Place the hole plugs after installing.

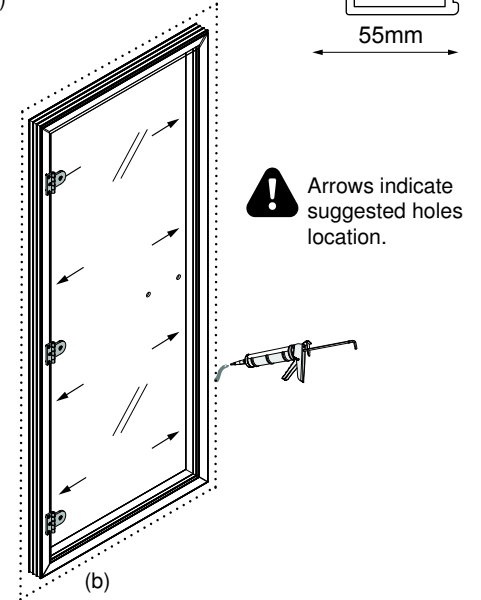


Use the wedges to level the door frame sides. Gaps around the frame can be filled with insulation or gap filler and covered with moulding.

2a Option 2 (Screw Mounting - optional). Pre-drill the screw holes (b) with the correct size and distance from the frame edge as shown in the illustration (a).



(a)



(b)



Arrows indicate suggested holes location.



Plastic Tox



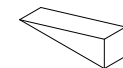
Wall Screw
(Included in the package)



Screw Hole Plug
(Included in the package)



Screw Guide
(Included in the package)



Wooden Wedge
(Included in the package)