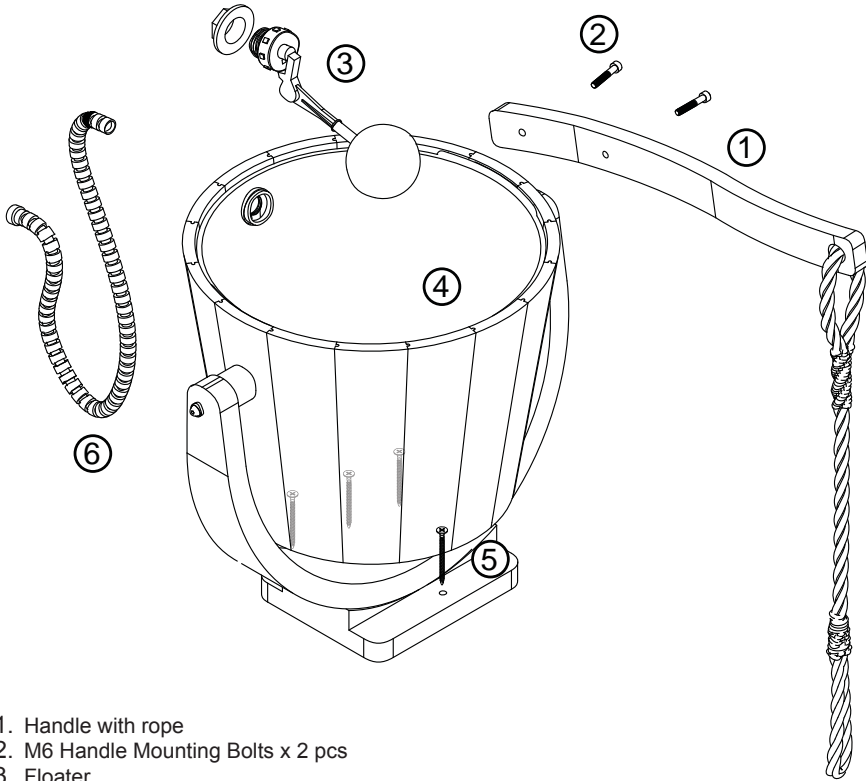


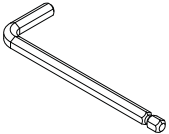
# Pail Shower Installation Manual

# Pail Shower Parts List



1. Handle with rope
2. M6 Handle Mounting Bolts x 2 pcs
3. Floater
4. Pail Assembly
5. 4mm Pail Holder Mounting Screws x 4 pcs
6. 1/2 inch Connection Hose

## Requirements for Installation



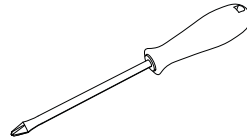
M5 Allen Wrench  
(Included in the package)



Water Inlet with 1/2  
in. thread



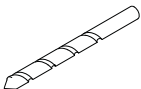
6mm Plastic T-nut  
(Included in the package)



Phillips Screw Driver



Drill



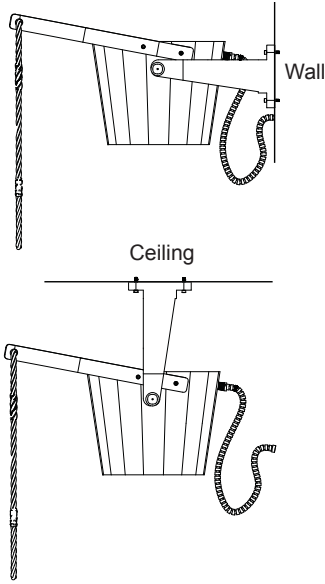
1/2" in. (13mm) drill bit



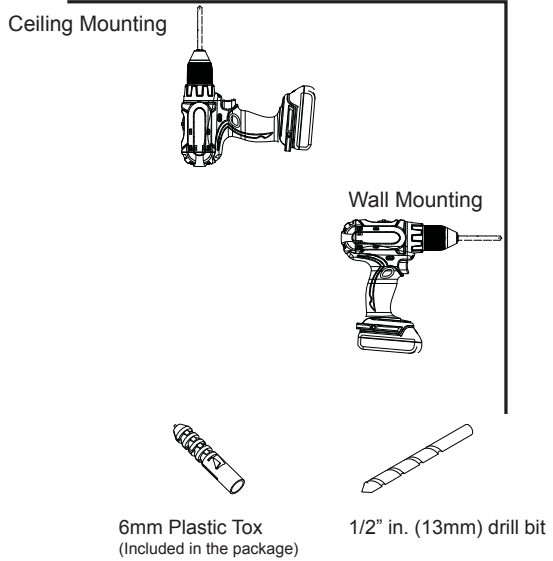
Ø4 mm screws  
(Included in the package)

# Pail Shower Installation

**1** Choose desired installation either on the wall or ceiling.

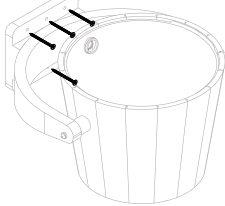


**2** Pre-drill the wall/ceiling and insert plastic tox.

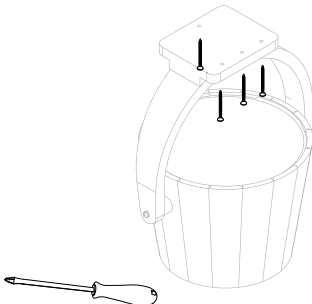


**3** Screw and mount your pail.

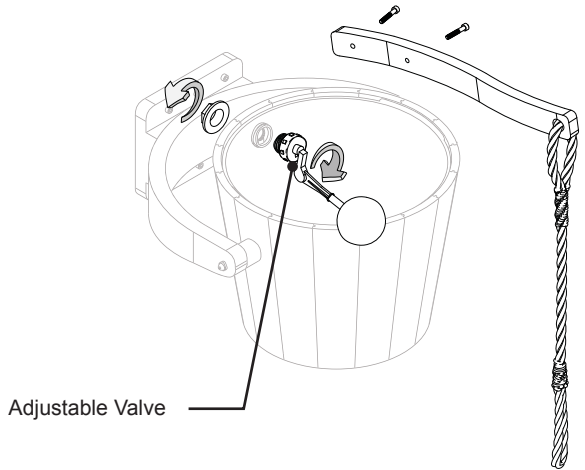
Wall Mounting



Ceiling Mounting



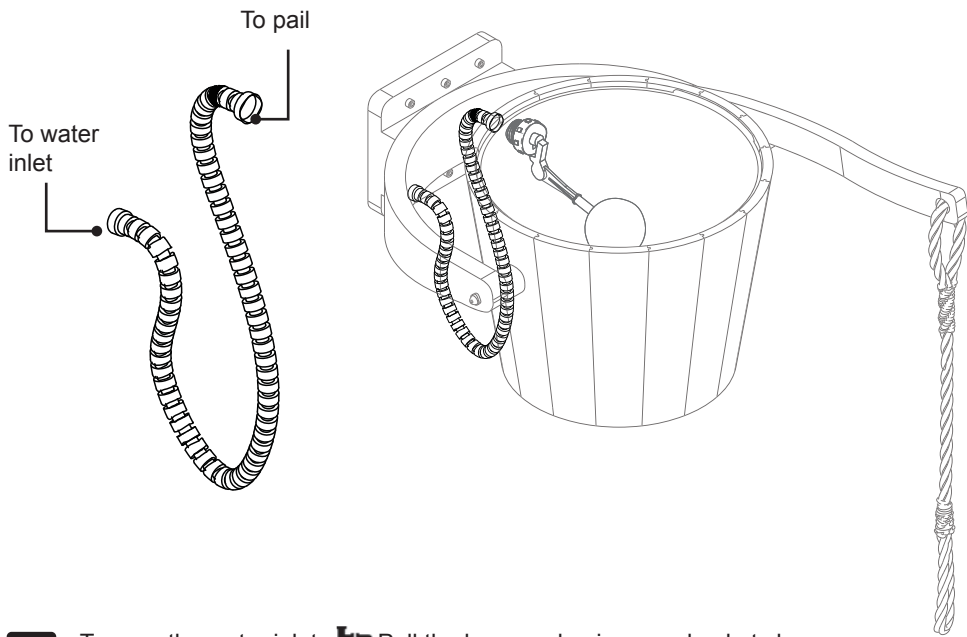
**4** Attach floater to the pail and handle.




Check if water level is desirable, if not, you can adjust the valve angle



**5** Attach hose to water inlet



**6** Turn on the water inlet.  Pull the lever and enjoy your bucket shower.



Water will automatically be refilled after every shower.

