



MANUAL

# INFRARED PANEL



ENGLISH

# SAFETY INSTRUCTIONS



- Read the Manual before installing and using the panels.
- Covering the Heater causes fire hazard.
- Do not allow children or people with mental disabilities to use or to stay inside IR sauna room without adult supervision.
- Overexposure may have adverse effect to the body.
- Make sure that the heat from the IR panel is not directly hitting to your head.
- Do not use IR sauna room when you are suffering from sunburns, skin deceases or undergoing photosensitivity treatments.
- Refrain from using the infrared sauna room when any of its components are broken.
- Never throw water into the infrared panels as it may cause damage.
- Individuals who may be at risk from hyperthermia, such as individuals suffering from cardiovascular disease, should seek medical advice before use of infrared warming cabins.
- When persistent erythema (reddening of the skin lasting more than a day) and netlike colour changes persist after regular exposure to infrared radiation, exposure should not be repeated and medical advice should be sought to prevent development of erythema abigne.
- Never leave the IR sauna room ON unattended.
- The supply cord cannot be replaced if the cord is damaged, the panel should be scrapped.
- It is recommended to refrain from using the IR sauna room when having exposed in less than 24h by UV radiation from other artificial sources or sun-bathing.
- If you are a person with compromised heat pain sensation or under the influence of alcohol or tranquilizers you should not use infrared warming cabins.

# INTRODUCTION

Congratulations on your purchase of SAWO IR Panel. Please read carefully the manual before installing. Keep the manual in the vicinity of the device.

SAWO IR panels are made from carbon plate. Fiber coating is added on the surface making it safe to touch. SAWO IR panels emit Far Infrared heat that is suggested to be beneficial for health.

## INSTALLATION

### NOTE!

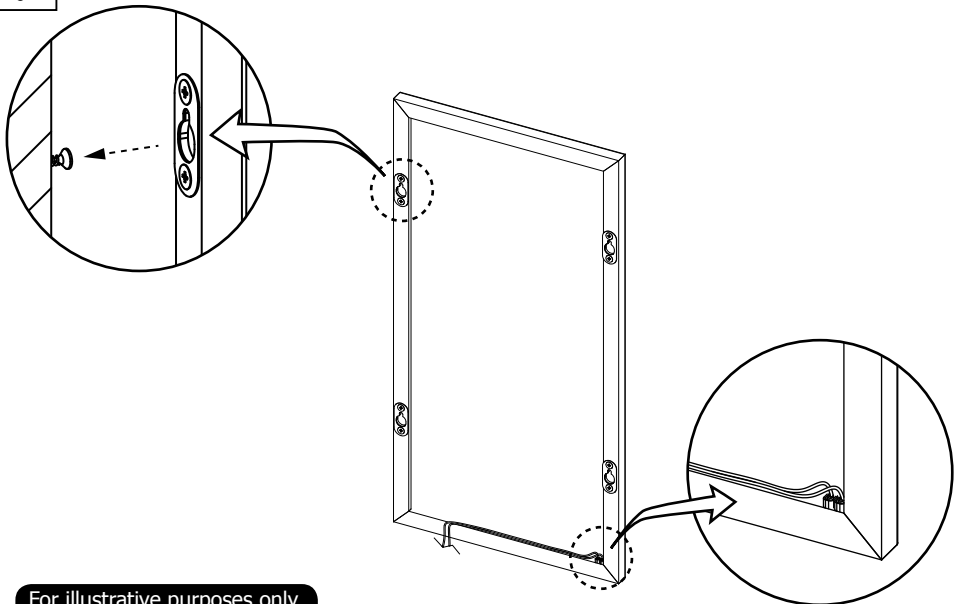
The IR panel is for IR sauna use only.

### DISCLAIMER:

Using the IR panel aside from Infrared sauna will void the warranty and the manufacturer will not be accountable in case of loss or any adverse effect that is caused by inappropriate use.

The IR panel is with a metal cap at the back and mount with a screw. Take note on the manufacturer's recommended installation distance before attaching the IR panels. Do not install the IR panel upside down. Wire leads must be pointing downwards. Make sure not to damage the IR panel while installing. Never drill hole on the IR panel as it cause damage. In case of damage, do not use the device and replace it with a similar model.

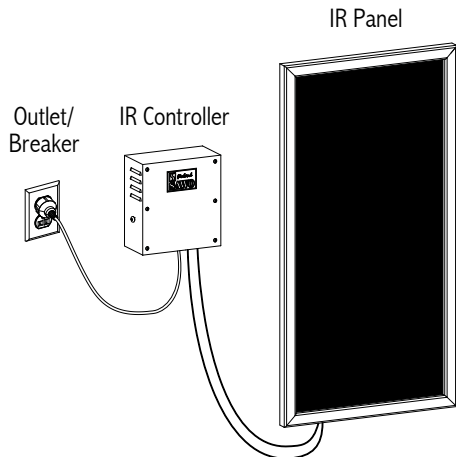
Fig. 1



For illustrative purposes only.

It is recommended to use SAWO IR controller to achieve optimum setting. See to it that the breaker load is enough as needed. The cable must be HO7RN-F type or equivalent. A qualified electrician must install the device. Improper wiring connection may cause damage to the IR panel, electric shock or fire. The wires must be properly concealed with a molding or similar. Do not staple the wire as it may cause short circuit. Wiring must be properly secured with a use of a tool to keep away from the user for safety. Refer to your IR sauna room manual in case if this is installed as a replacement. Means of all pole disconnection from supply must be incorporated to the wiring.

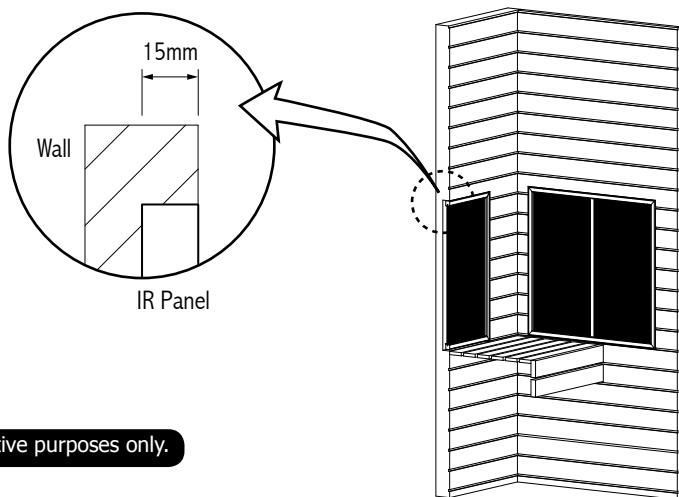
Fig. 2



Panel connected to IR controller then to outlet/breaker.

You can flush-mount the IR panel into the wall. Cut a hole into the wall according to the IR frame dimensions. Seal the gaps of the edges after.

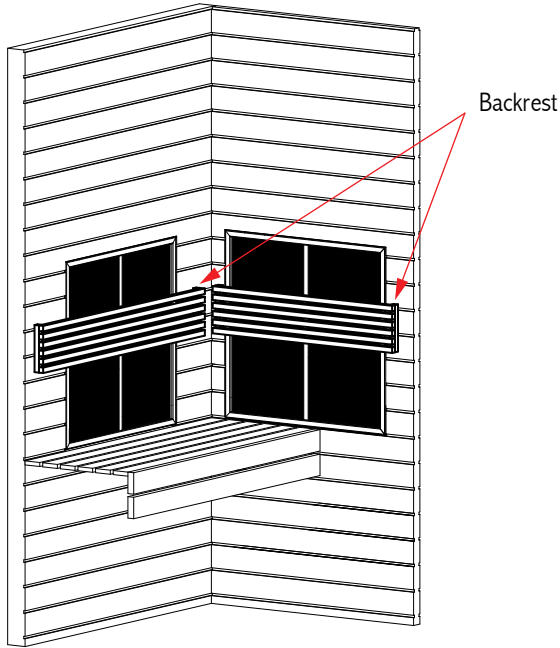
Fig. 3



For illustrative purposes only.

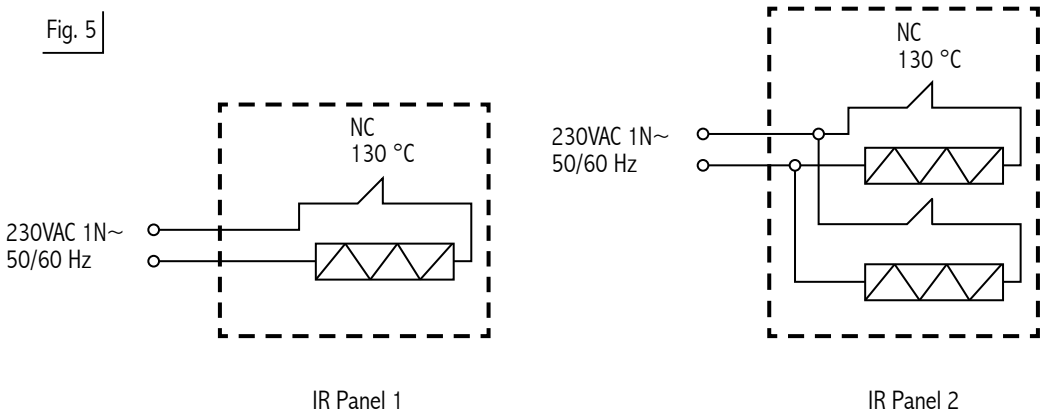
Provide a backrest after installing the IR panel from the wall. This is to prevent damage of the IR panel from leaning into it.

Fig. 4



## ELECTRICAL DIAGRAM

Fig. 5



For illustrative purposes only.

# CLEANING AND MAINTENANCE



- The IR panel surface is fiber coated which makes it safe to touch. Never use wet cloth or wash the IR panel. Make sure to unplug the IR sauna room before cleaning. You may wipe a dry cloth or use a paint brush to remove dirt from the IR panel.
- In case if the wooden frame has dirt or discolor, you may use a fine sandpaper to scrub the frame. Be careful not to sand the IR panel surface to avoid damage.
- In case you find abnormalities on the IR panel function, unplug the IR sauna room right away. Contact your dealer for assistance. Never attempt to repair the IR panel. Alteration of the original product will void the warranty.
- Disconnect the IR sauna room from the power source before making any maintenance or cleaning.

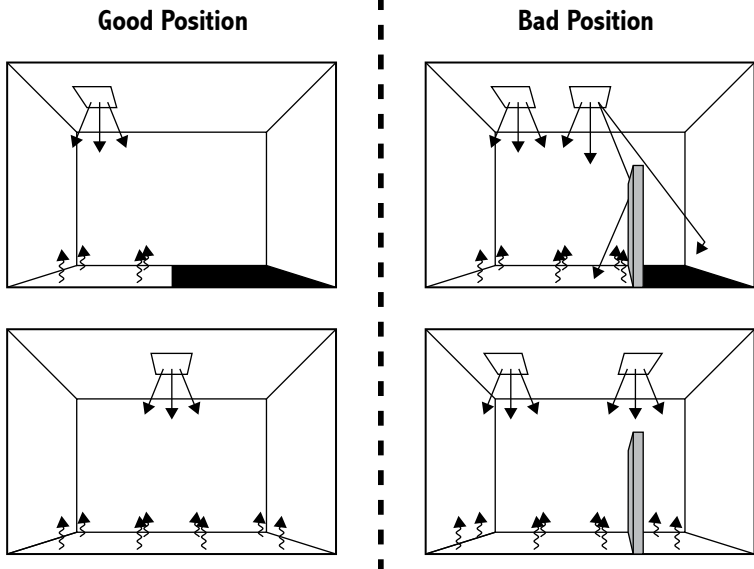
## WARNING!

Do not use high pressure water spray or steam cleaners as it may damage the electrical components of the IR sauna room.

# POSITIONING OF IR PANEL

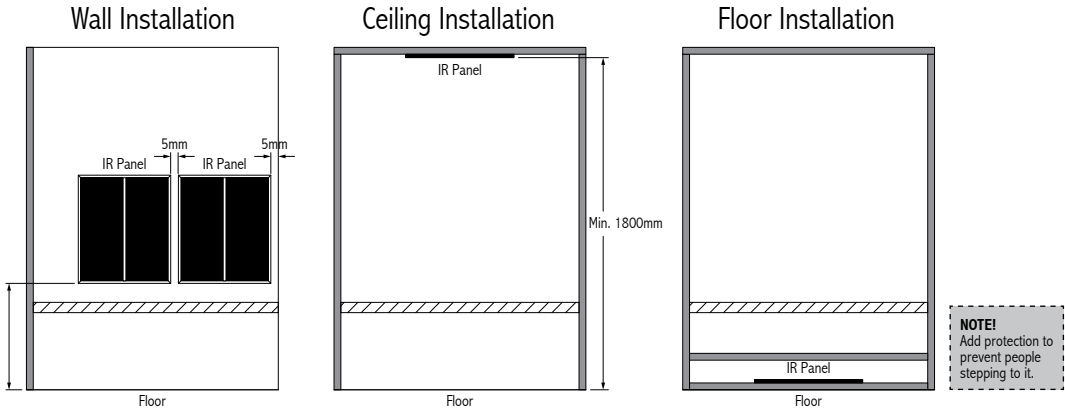
Mount your IR panel that is well position to the object that it will be heated. A proper positioning will avoid the “shadow effect”. Shadow effect means that the object is partially hit by the IR waves. This will cause heat inefficiency that leads to increase of power consumption and less enjoyable heat of the sauna. Follow illustration below or refer to your IR sauna room manual.

Fig. 6

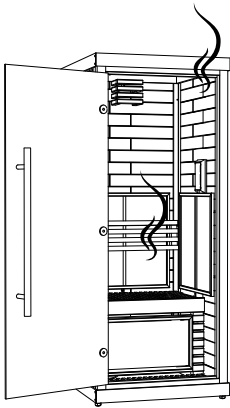


IR panel can be placed on the ceiling, walls or on the flooring. Be sure to follow the recommended distance of the IR panel installation (see fig. 7). When installing on the floor, make sure to provide a protection on the panel from people stepping into it when installing on the floor.

Fig. 7 | **Recommended Installation Distances (mm)**



## USING OF IR SAUNA



When using the IR sauna room for the first time, check thoroughly the inside of the IR sauna room for unnecessary objects. Switch the IR sauna room ON and leave the door open for about an hour. This is to heat up the room and remove any fumes or odor.

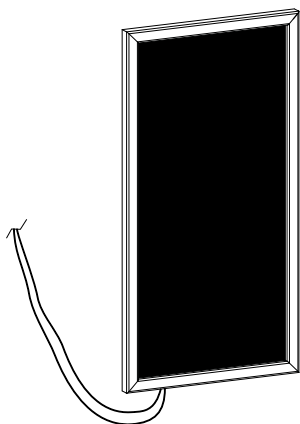
It is best to take a shower before and after the sauna. This is to neutralize your body temperature before and after heating inside the sauna.

IR sauna does not require preheating time so as soon as you switch on the control, you are ready to take that soft heat from IR panels.



Public infrared cabins that do not have a timer must have a light indicator showing that the infrared emitter is switched on. It is recommended to install it in the attendant's room.

**For commercial use:** IR sauna room must be continuously attended when used. Inspect the IR sauna room from any unnecessary objects before using.



IR-PANEL-1

### Technical Specifications:

Power: 220-230 VAC 1N~  
50/60 Hz

IR-Panel-1: Max 170 W

IR-Panel-2: Max 340 W

#### Sizes:

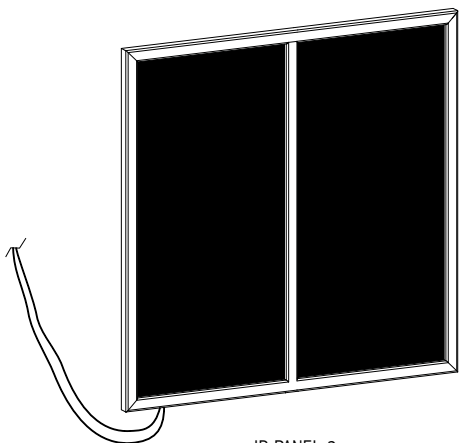
IR-Panel-1: 325mm (L) x 630mm (H) x 30mm (D)

IR-Panel-2: 645mm (L) x 630mm (H) x 30mm (D)

Type: Far-infrared

Surface: Fiber coated material

Wavelength: 6000-14000nm



IR-PANEL-2

**CE IPX2 EAC** 

Subject to change without notice.



[www.sawo.com](http://www.sawo.com) | [info@sawo.com](mailto:info@sawo.com)

IR\_Panel\_ML\_(En0119)