

IR Sauna Control



Congratulations on your purchase of Infrared Control Unit!
Please read the manual carefully before using the control.

TABLE OF CONTENTS

1. Introduction of the Innova Controls	3
1.1 Precautions	3
1.2 Safety Instructions When Using IR Sauna Room	4
1.3 IR Sauna Cautions	5
2. Operating Instructions	6
2.1 Quick Start	6
2.2 Directions of Use.....	7
2.2.1 Heater on	7
2.2.2 Heater off	7
2.2.3 Temperature Setpoint.....	7
2.2.4 Cabin Light.....	7
2.2.5 Fan.....	7
2.2.6 Cabin Light Button.....	7
3. Assembly and Installation	8
3.1 IR Interface to Controller Box Connection Diagram.....	8
3.2 Sensor	9
3.3 Technical Diagram	10
3.4 IR Controller Box	11
4. Troubleshooting	11



READ THE MANUAL FOR
ADDITIONAL IMPORTANT
INSTRUCTIONS



COVERING THE HEATER
CAUSES FIRE HAZARD

1. INTRODUCTION OF THE IR SAUNA CONTROL

Infrared Control Unit is developed to enhance your sauna bathing with a variety of features. It can adjust temperature, ventilation and light option in your sauna. The Infrared controller comes together with a power controller and an user interface.

Infrared sauna control is for Infrared sauna rooms only. It can adjust the session time, temperature, fan and light. IR sauna control comes with wooden holder.

The following information provides you with instructions on adjusting the settings of the control unit. Please, read this instruction manual carefully before using it. Familiarization of key functions will give you a more enjoyable sauna experience.



1.1 Precautions

1. Only a qualified electrician is allowed to make the electrical connections and repairs on the unit. Use original parts only.
2. Disconnect the Power Controller and the from the mains supply before installation, opening the lid of the power controller or contactor unit and repair/maintenance.
3. Check power supply rating before installation.
4. Check the correct location of the sensor in the installation section of the manual. It is very important to place the temperature sensor correctly as it closeness of the air ventilation cools down the sensor and may lead to overheating.
5. The control unit can be operated on a room temperature 0-40°C. Do not install the control unit inside the sauna room! Ambient conditions shall not be exceeded!
6. Do not pour water in the control unit or clean it with wet cloth, steam cleaner, high pressure cleaners or spraying water. For cleaning purposes, use a cleaning cloth that has been only slightly moistened with a mild soapy solvent (dish detergent).
7. If the supply cord is damaged, it must be replaced by the manufacturer, its service agent or by similar qualified persons to avoid hazard.

1.2 Safety Instructions When Using IR Sauna Room

Please take note of these safety precautions before using the sauna or when installing the IR panels.

For user:

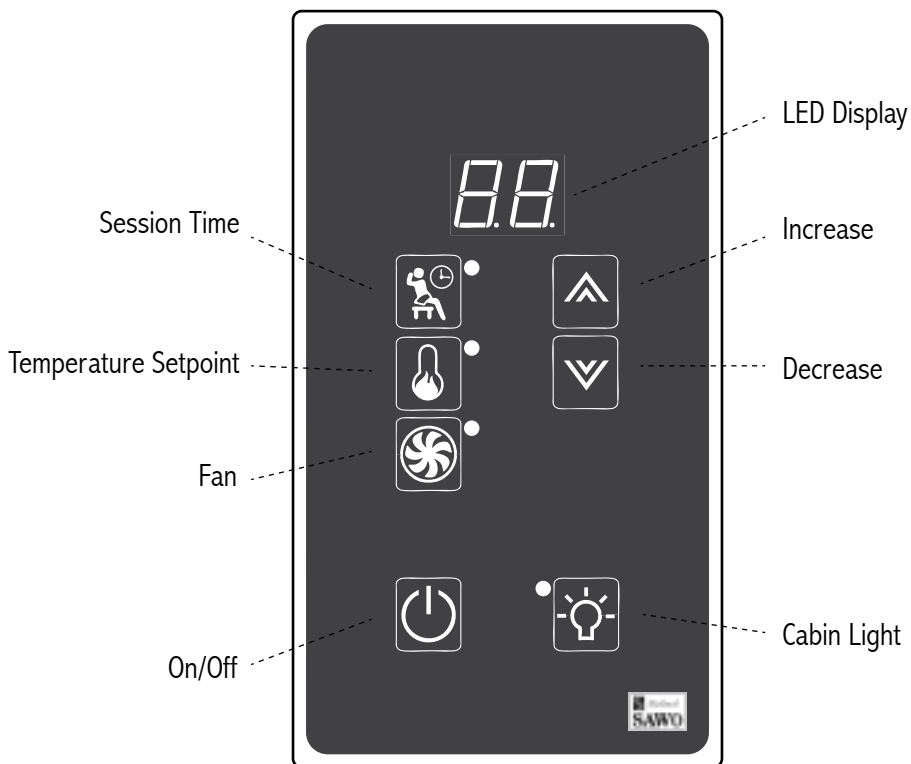
- This product is not designed to be used by persons (including children) with limited physical or mental abilities and limited experience and knowledge except under close supervision by a responsible person with knowledge and experience or having been advised by such person.
- Under no circumstances should children be allowed to play with the device.
- Do not put combustible material on the IR panel.
- Do not cover the IR panel. It may cause a fire.
- Do not use the IR panel as clothes dryer. It may cause fire.
- When installing a new IR panel, switch the IR panel on for 30mins. Do not stay inside the IR sauna room while performing the operation.

For technicians:

- Wiring and repairs must be done by a certified electrician.
- The sensor and IR panel should be mounted in a way so that incoming air will not interfere with it.
- If this is use as for public saunas or saunas that may be switched on by a separate remote-control system, the door of the sauna room must be fitted with an interlock such that the stand-by mode setting for remote operation is disabled if the sauna door is opened when the stand-by mode setting for remote operation is set.
- Keep these instruction close to the infrared sauna for further reference for use and future maintenance.




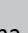

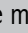

1.3 IR Sauna Cautions

- Children or people with mental disabilities must have adult supervision when using the IR sauna room.
- Cleaning and user maintenance shall not be made by children.
- Under no circumstances should children be allowed to play the IR sauna room.
- Overexposure may have adverse effect to the body.
- Make sure that the infrared panel is not directing the radiation towards your head.
- Do not use when your suffering from sunburns, skin deceases or undergoing photosensitivity treatments.
- Refrain from using the infrared sauna room when any of its components are broken.
- Leave a space at the back of the IR sauna room for proper airflow. Do not place any obstruction at the back of the emitter as it may overheat.
- Never throw water into the infrared panels as it may cause damage.
- It is recommended that the infrared cabin should not be used within 24 hours after UV radiation exposure from artificial sources or sun-bathing.
- Individuals who may be at risk from hyperthermia, such as individuals suffering from cardiovascular disease, should seek medical advice before use of infrared warming cabins.
- When persistent erythema (reddening of the skin lasting more than a day) and netlike colour changes persist after regular exposure should not be repeated and medical advice should be sought to prevent development of erythema *abigne*.
- If you are a person with compromised heat pain sensation or under the influence alcohol or tranquilizers you should not use infrared warming cabins.
- Only intrinsically safe infrared emitters can be connected to SAWO infrared controller!



2. OPERATING INSTRUCTIONS

2.1 Quick steps in using the IR sauna room

1. Switch on by pressing the Power button .
2. Press the Temperature button  and adjust using the Up  or Down  keys.
3. Press the Session Time button  to set the length of sauna use.
4. Turn on the cabin light . Use the music light remote to adjust ambient light.
5. Turn on Fan  as needed.

2.2 Directions of use

2.2.1 Heater on

Press the Power button to instantly start using the IR sauna. An LED indicator on top of the power button will light up if it is switched on.

The sauna will heat up based on the temperature from the previous setting and operate for the set length from previous session time. Maximum session time can be until 99mins. The default session time is 20mins.

WARNING 
Do not cover the IR panels as it may cause fire.

2.2.2 Heater off

Turn the heater off by pressing the Power button. This button will turn off temperature setting including the session time. When control is switched off, it will go to Standby Mode. In standby mode, the cabin light and fan can be set to on/off.

2.2.3 Temperature Setpoint

The temperature setting can be adjusted using the Up and Down arrow keys. Previous setting for temperature will apply on the next session. Default temperature setting is 55 deg.Celsius.

2.2.4 Cabin Light

Press the Cabin Lights button to switch On/Off. Colored lights is colored with own remote control. See colored lights remote control manual.

2.2.5 Fan

Switch fan on or off by pressing the fan button. LED light for fan will indicate if the fan is turned on or off.

2.2.6 Cabin Light Button

Cabin light can be switched on, even when the IR panel is off. Press the cabin lights button to switch on/off the lights.

LED for the cabin light button will indicate if the light is on or off.

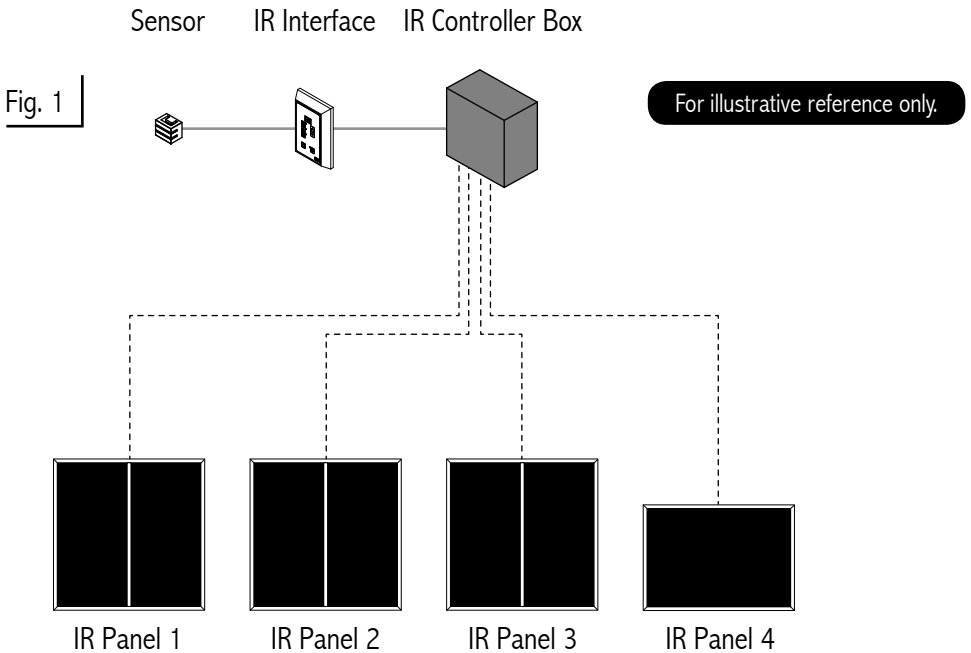
Adjust the light ambient using the light remote control. Refer to Music Light manual.

3. ASSEMBLY AND INSTALLATION

IR interface is connected to a controller box where the heating panels, music light and fan are also connected.

Follow carefully the labels to snap all the wirings into its designated terminals. See IR Sauna Room manual for the wall installation and assembly.

3.1 IR Interface to Controller Box Connection Diagram



NOTE

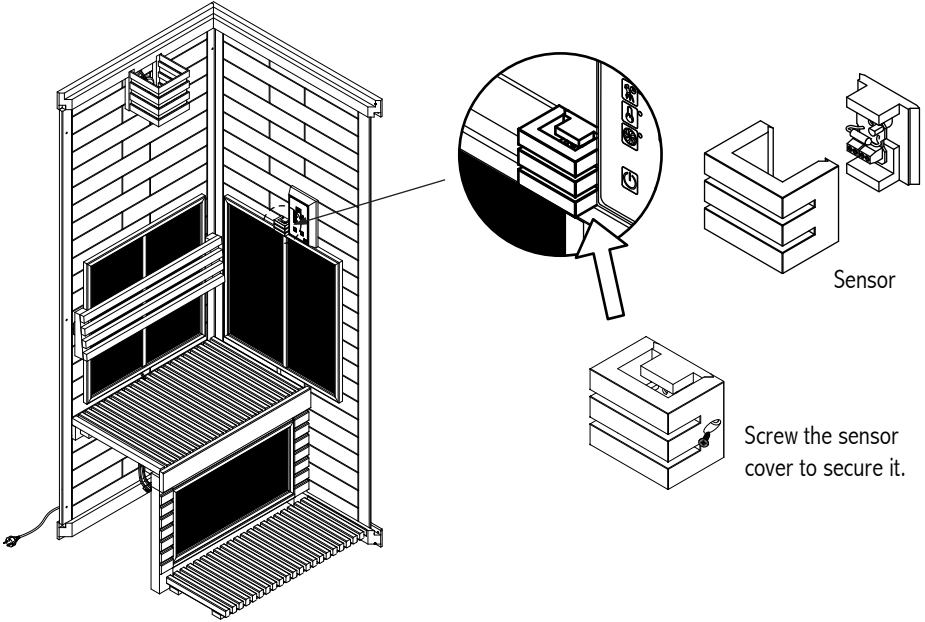
IR control set includes sensor with wire, 4m RJ cable, IR interface and the IR Controller box.

Wires used to connect to the panels are not included.

3.2 Sensor

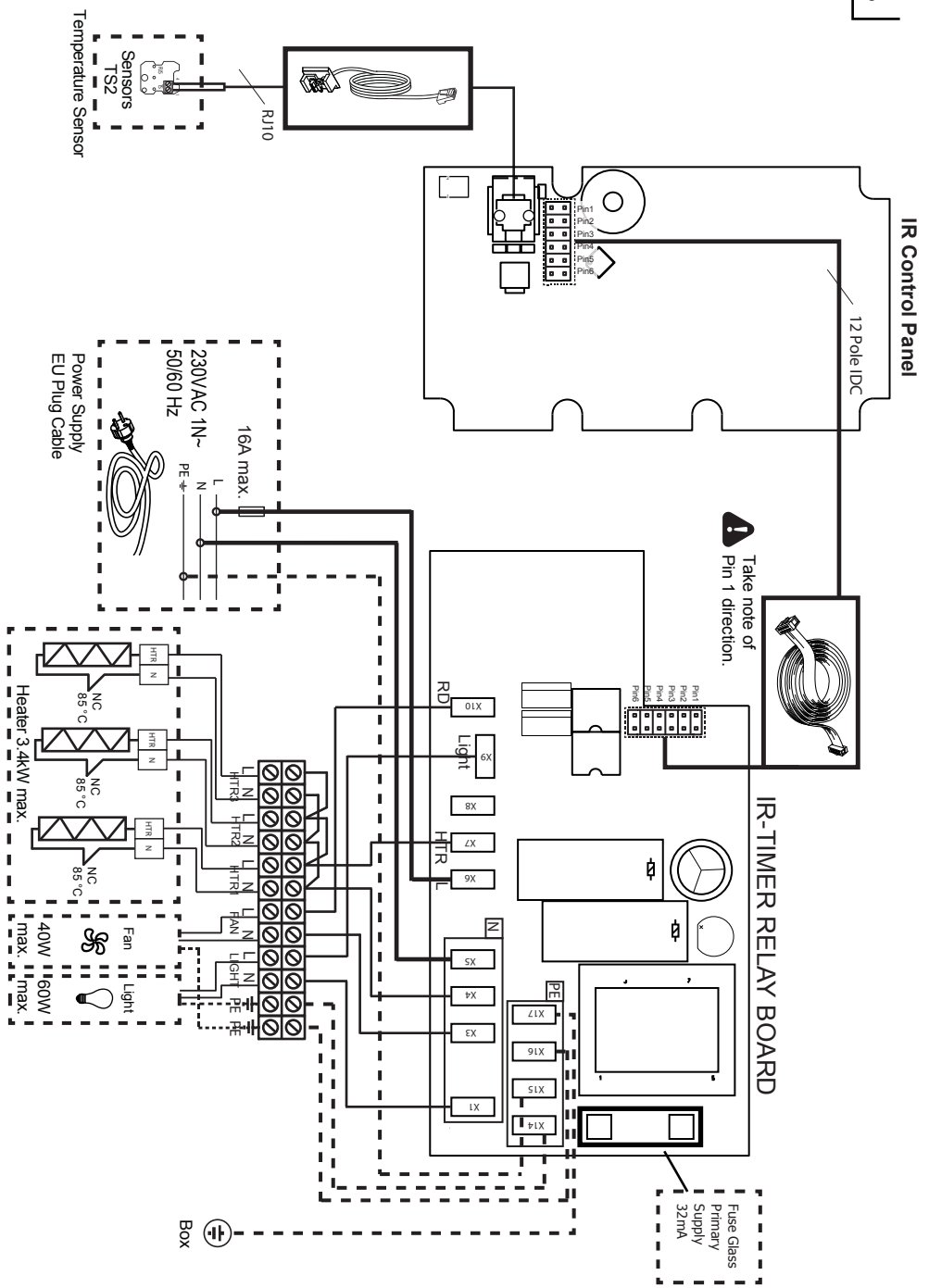
The sensor is recommended to be installed on the top center of the IR panel frame. It is very important to install the sensor in a proper location for a correct temperature reading.

Fig. 2 | Recommended location for the sensor



3.3 Technical Diagram

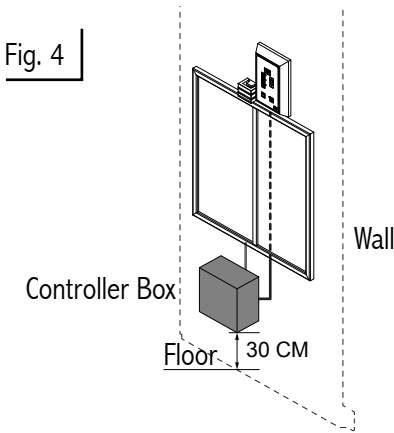
Fig. 3



3.4 IR Controller Box

The IR Controller Box can only be used for controlling infrared panels that are intrinsically safe and are not emitting visible light. The IR Controller Box should be installed in a dry location where the temperature can not exceed +40°C. It is protected against dripping water, however it should not get in contact with water. Mount the controller board on a dry location, inside or outside the sauna room.

Install the IR Controller Box on the wall in vertical direction only and at least 30cm from the floor (refer to the illustration below). Power plug is supplied together with the box.



4. TROUBLESHOOTING

If an error occurs, the IR panels will be switched off. There will be a warning beep and error codes are displayed blinking in the control panel.

Code	Problem	Solution
E1	Temperature sensor is defective.	Check the wire between the sensor and the control unit. If there is no problem with the wires and they are correctly installed, check the sensor. If no reason for the problem can be found, contact the retailer.

WARNING



Please note that only a qualified electrician or maintenance personnel is allowed to make the service operations and repairs!

Description	Rating	Remarks
Control		
Rated Power Single Phase	3,4kW AC1	
Rated Voltage Single Phase	230V 1N~	
Frequency	50/60Hz	
Switching capacity	15A	
Sauna temperature range	35-70 degree Celsius	
Maximum session time (preset)	99 minutes	
Dimensions		
IR Control Panel	10kOhm, NTC	TS2 with RJ10
Weight		
IR Control Panel		
IR-Timer Relay Board		

Description	Rating	Remarks
Sensor		
Temperature Sensor	10kOhm, NTC	TS2 with RJ10
Thermal Switch Limiter	85 degree Celcius, NC	Resettable
Cabin Light		
Light Bulb	230V 1N~, 60W max.	Resistive load
Fan		
Fan	230V 1N~, 40W max.	Fan without starting capacitor
Fuse		
Fuse F1	32mA	For electronics

CE IPX 4 ~~IPX 4~~

Subject to change without notice.



www.sawo.com | info@sawo.com

IR_Control_En0518